



**CELLMAX-D-CPUSEi**  
**Cell-Max™ Directional In-building Antenna, 698–960 MHz, 1710–2700 MHz**

## Electrical Specifications

Frequency Band, MHz	698–800	800–960	1710–2170	2200–2700
Gain, dBi	5.0	5.0	8.0	6.0
Beamwidth, Horizontal, degrees	120	90	65	50
Beamwidth, Vertical, degrees	90.0	85.0	55.0	40.0
VSWR   Return Loss, dB	1.8   10.9	1.5   14.0	1.5   14.0	1.5   14.0
PIM, 3rd Order, 2 x 20 W, dBc	-140	-140	-140	-140
Input Power per Port, maximum, watts	50	50	50	50
Polarization	Vertical	Vertical	Vertical	Vertical
Impedance	50 ohm	50 ohm	50 ohm	50 ohm

## General Specifications

Antenna Type	Directional
Application	Indoor
Operating Frequency Band	1710 – 2700 MHz   698 – 960 MHz
Brand	Cell-Max™
Mount Type	4-hole wall mounting plate and hardware (included)
Package Quantity	1
Pigtail Cable	670-141SXE, plenum rated

## Electrical Specifications

Electrical Note	PIM specifications are less than or equal to the stated value
-----------------	---

## Mechanical Specifications

Color	White
Pigtail Length	500.0 mm   19.7 in
Radome Material	ABS, UV resistant
RF Connector Interface	N Female

## Environmental Specifications

Operating Temperature	-40 °C to +60 °C (-40 °F to +140 °F)
Relative Humidity	Up to 100%

## Dimensions

Depth	44.0 mm   1.7 in
Length	210.0 mm   8.3 in
Width	180.0 mm   7.1 in
Net Weight	0.6 kg   1.4 lb

## Packed Dimensions

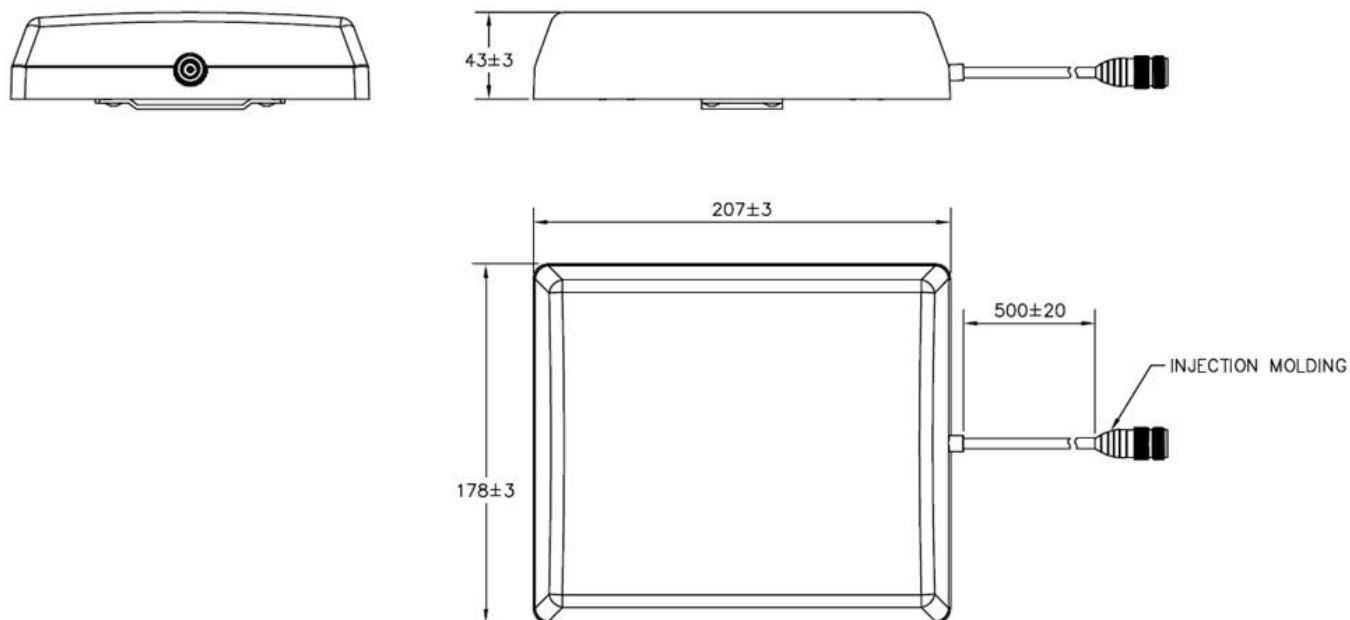
Depth	55.0 mm   2.2 in
Length	250.0 mm   9.8 in
Width	190.0 mm   7.5 in
Shipping Weight	0.8 kg   1.7 lb

CELL/MAX-D-CPUSEi

POWERED BY



## Outline Drawing



## Regulatory Compliance/Certifications

### Agency

RoHS 2011/65/EU  
ISO 9001:2008

### Classification

Compliant by Exemption  
Designed, manufactured and/or distributed under this quality management system

