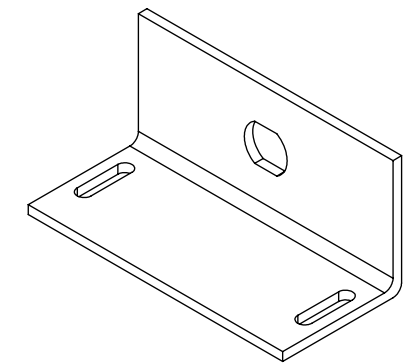
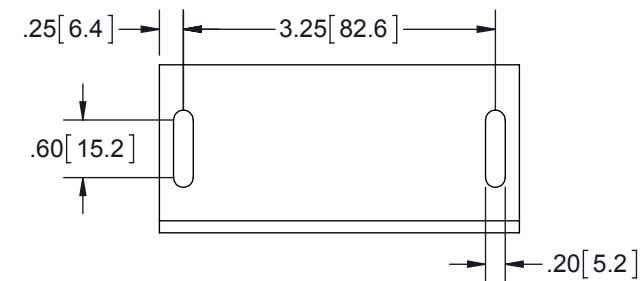
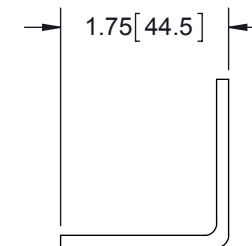
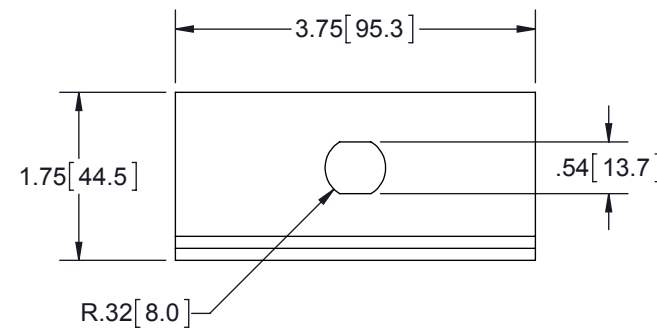
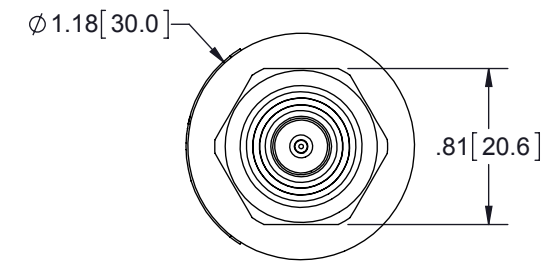
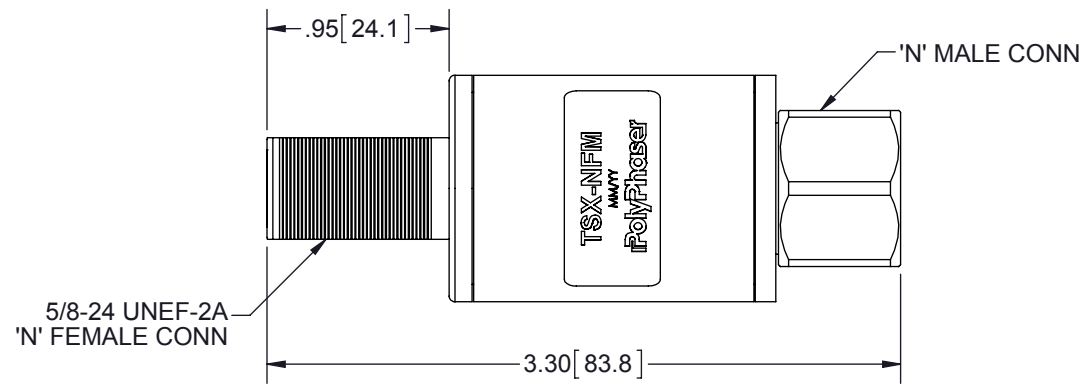
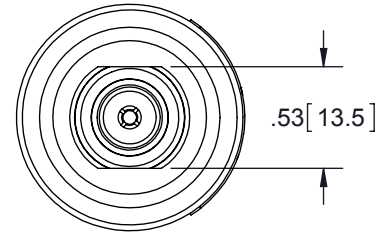
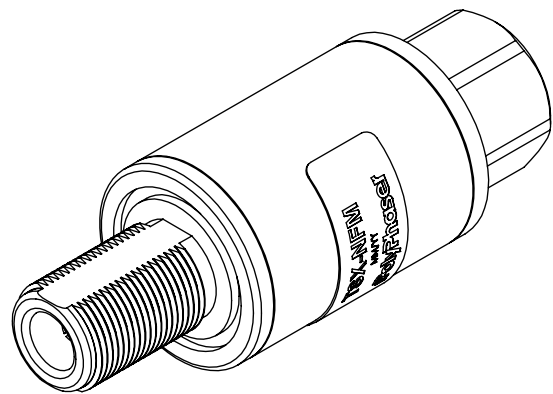


REVISIONS				
REV.	DESCRIPTION	ECN	DATE	APPROVED
A	PRODUCTION RELEASE		11/08/12	CP



CUSTOMER APPROVAL: \_\_\_\_\_ DATE: \_\_\_\_\_

ALL DIMENSIONS SHOWN ARE FOR REFERENCE ONLY.

**MAXIMUM CHARACTERISTICS**

**APPLICATION:**  
DC SHORT/RF ONLY (NO POWER SUPPLY PROVISIONS)  
BULKHEAD MOUNT BI-DIRECTIONAL  
WEATHERPROOF WHEN INSTALLED

**FREQUENCY RANGE:**  
698MHz TO 2.7GHz @ -26dB RETURN LOSS

**MAX SURGE:**  
IEC 61000-4-5 8/20µs WAVEFORM  
40kA MAX  
20kA MULTIPLE

**INSERTION LOSS:**  
≤0.1dB

**CONTINUOUS POWER:**  
500W @ 920MHz  
(750W @ 50°C)

**LET THROUGH VOLTAGE:**  
≤±200mV FOR 3kA @ 8/20µs WAVEFORM

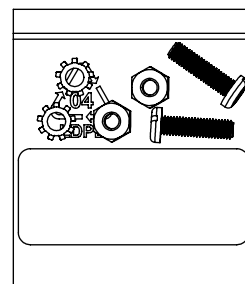
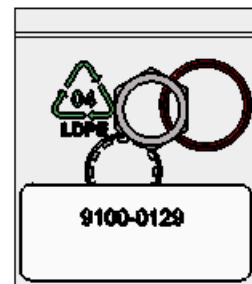
**THROUGHPUT ENERGY:**  
≤5nJ FOR 3kA @ 8/20µs WAVEFORM

**TEMPERATURE:**  
-50°C TO +85°C STORAGE/OPERATING

**VIBRATION:**  
1G @ 5Hz TO 100Hz

**MATERIAL:**  
BODY: TRI-PLATED BRASS  
PTFE: DIELECTRIC  
CENTER PINS: GOLD PLATED

**ENVIRONMENTAL:**  
MEETS IEC 60529 IP67  
MEETS BELLCORE #TA-NWT-000487  
PROCEDURE 4.11, 120MPH WIND DRIVEN  
RAIN INTRUSION TEST  
**RoHS COMPLIANT**



QTY	DESCRIPTION
1	5/8 MOUNTING NUT
1	INT TOOTH LOCKWASER
1	O-RING
2	10-32 X 3/4 RD HD SLOT M/S 18-8SS
2	10-32 18-8SS HEX NUT
2	#10 410SS EXT TOOTH LOCKWASHER

THESE COMMODITIES, TECHNOLOGY OR SOFTWARE WERE EXPORTED FROM THE UNITED STATES IN ACCORDANCE WITH THE EXPORT ADMINISTRATION REGULATIONS. DIVERSION CONTRARY TO U.S. LAW PROHIBITED.

UNLESS OTHERWISE SPECIFIED LEADING DIMENSIONS ARE INCHES DIMENSIONS IN [ ] ARE MILLIMETERS	DRAWN	RD	DATE	11/06/12
	ENG APPD	JJ	DATE	11/08/12
	PRODUCT MGR	CP	DATE	11/08/12
	MARKETING APPD	LCJ	DATE	11/08/12
MATERIAL	PROJECT NO.			
THIRD-ANGLE PROJECTION	NOTICE: THE INFORMATION AND DESIGN IN THIS DOCUMENT IS THE PROPERTY OF TRANSECTOR SYSTEMS. ALL RIGHTS RESERVED.			

<b>PolyPhaser</b>				
TITLE <b>BI-DIRECTIONAL BROADBAND DC SHORT FILTER 'N'</b> CUSTOMER SPECIFICATION				
SIZE	CAGE	DOCUMENT NAME	REV	
B	61114	TSX-NFM-BF-C	A	
SCALE	PROD CAT	PART NUMBER	SHEET	OF
1:1	RFP	TSX-NFM-BF	1	1