



F1PNF

Type N Female for 1/4 in FSJ1-50A cable

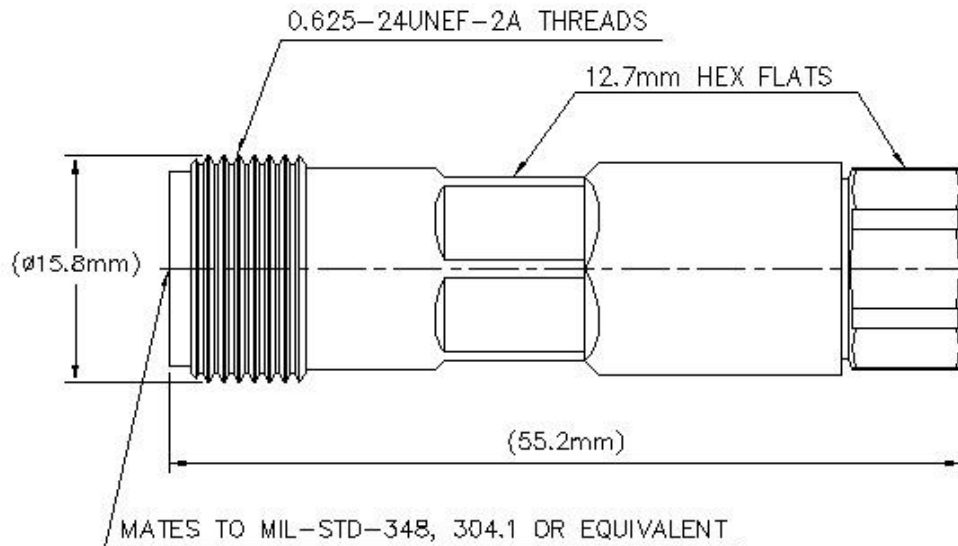
## General Specifications

Interface	N Female
Body Style	Straight
Brand	HELIAX®
Mounting Angle	Straight

## Electrical Specifications

Connector Impedance	50 ohm
Operating Frequency Band	0 – 8000 MHz
Cable Impedance	50 ohm
3rd Order IMD, typical	-112 dBm @ 910 MHz
3rd Order IMD Test Method	Two +43 dBm carriers
RF Operating Voltage, maximum (vrms)	565.00 V
dc Test Voltage	1600 V
Outer Contact Resistance, maximum	0.25 mOhm
Inner Contact Resistance, maximum	1.00 mOhm
Insulation Resistance, minimum	5000 MOhm
Average Power	0.4 kW @ 900 MHz
Peak Power, maximum	6.40 kW
Shielding Effectiveness	-110 dB

## Outline Drawing



## Mechanical Specifications

Outer Contact Attachment Method	Self-clamping
Inner Contact Attachment Method	Solder
Outer Contact Plating	Silver
Inner Contact Plating	Gold
Interface Durability	500 cycles
Interface Durability Method	IEC 61169-4:17
Connector Retention Tensile Force	450 N   101 lbf
Connector Retention Torque	1.40 N-m   1.03 ft lb
Insertion Force	124.55 N   28.00 lbf
Insertion Force Method	IEC 61169-16:9.3.5
Pressurizable	No
Coupling Nut Proof Torque	1.70 N-m   1.25 ft lb
Coupling Nut Proof Torque Method	IEC 61169-16:9.3.11
Coupling Nut Retention Force	445.00 N   100.04 lbf
Coupling Nut Retention Force Method	IEC 61169-16:9.3.11

## Dimensions

Nominal Size	1/4 in
Diameter	15.83 mm   0.62 in
Height	15.83 mm   0.62 in
Length	55.19 mm   2.17 in

F1PNF



Weight 100.46 g | 0.22 lb  
Width 15.83 mm | 0.62 in

## Environmental Specifications

Operating Temperature	-55 °C to +85 °C (-67 °F to +185 °F)
Storage Temperature	-65 °C to +125 °C (-85 °F to +257 °F)
Immersion Depth	1 m
Immersion Test Mating	Mated
Immersion Test Method	IEC 60529:2001, IP68
Moisture Resistance Test Method	IEC 60068-2-3
Mechanical Shock Test Method	IEC 60068-2-27
Thermal Shock Test Method	IEC 60068-2-14
Vibration Test Method	IEC 60068-2-6
Corrosion Test Method	IEC 60068-2-11

## Standard Conditions

Attenuation, Ambient Temperature	20 °C   68 °F
Average Power, Ambient Temperature	40 °C   104 °F
Average Power, Inner Conductor Temperature	100 °C   212 °F

## Return Loss/VSWR

Frequency Band	VSWR	Return Loss (dB)
45–4100 MHz	1.12	25.00
4100–6200 MHz	1.17	22.00
6200–11000 MHz	1.43	15.00

## Regulatory Compliance/Certifications

Agency	Classification
RoHS 2011/65/EU	Compliant by Exemption
China RoHS SJ/T 11364-2006	Above Maximum Concentration Value (MCV)
ISO 9001:2008	Designed, manufactured and/or distributed under this quality management system



### \* Footnotes

Immersion Depth Immersion at specified depth for 24 hours