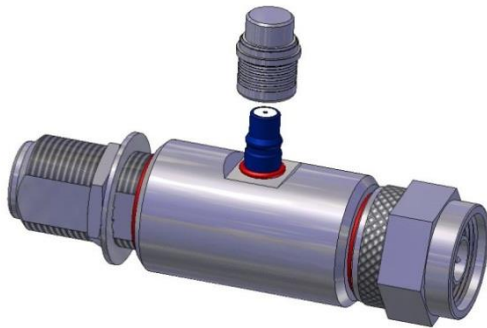




CSS CN-727

-40dB Coupler, 698-2700MHz, N-Male-to-N-Female



- Allows for Non-Intrusive Testing
- Compact Design
- Broadband 698-2700MHz
- QMA Coupling Port
- Suitable for Indoor or Outdoor DAS
- Every unit is PIM Certified

Electrical Specifications

Frequency Band, MHz	698-2700
Coupling, dB	-40 +/-1dB @1,700MHz
VSWR/Return Loss, dB, Maximum	1.15:1/-23.0
Insertion Loss, dB, Maximum	0.2
Impedance, ohms	50
Maximum Power, CW	250
Intermodulation (2x20w), IM3, dBc, Maximum	-150

Mechanical Specifications

Dimensions, Length/Diameter	3.0/0.87 in (77/22 mm), Excludes QMA
Connector (Quantity) Type	(1) N-Female Bulkhead, (1) N-Male
Coupling Connector (Quantity) Type	(1) QMA Female
Coupling Cap (Quantity) Type	(1) QMA Male with weather seal
Mating Cycles, Minimum	500
Package Quantity	1

Environmental Specifications

Temperature Range	-45°C to +85°C
Application	Suitable for outdoor with proper connections
2002/95/EC (RoHS)	Compliant

Order Information

Model	Description
CN-727	Coupler, N-Female Bulkhead, N-Male, -40dB QMA Female, Straight

www.cssantenna.com

410-612-0080

All Specifications are subject to change.

Refer to www.cssantenna.com for the most current information

customerservice@cssantenna.com

Page 1 of 2

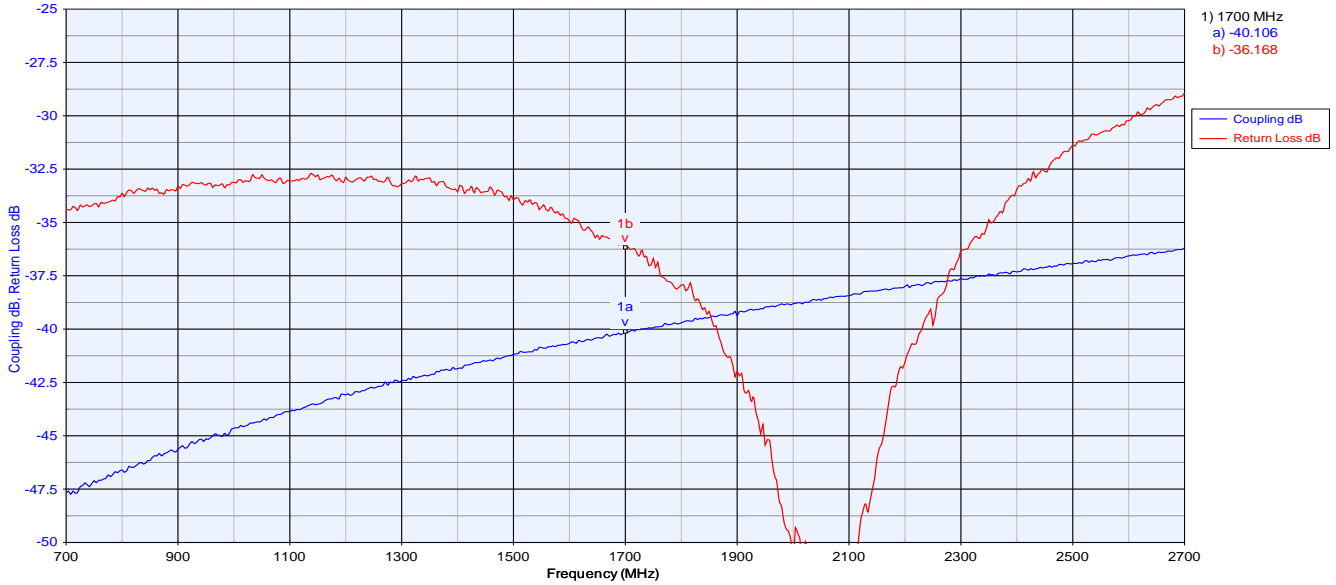
2/16/2012



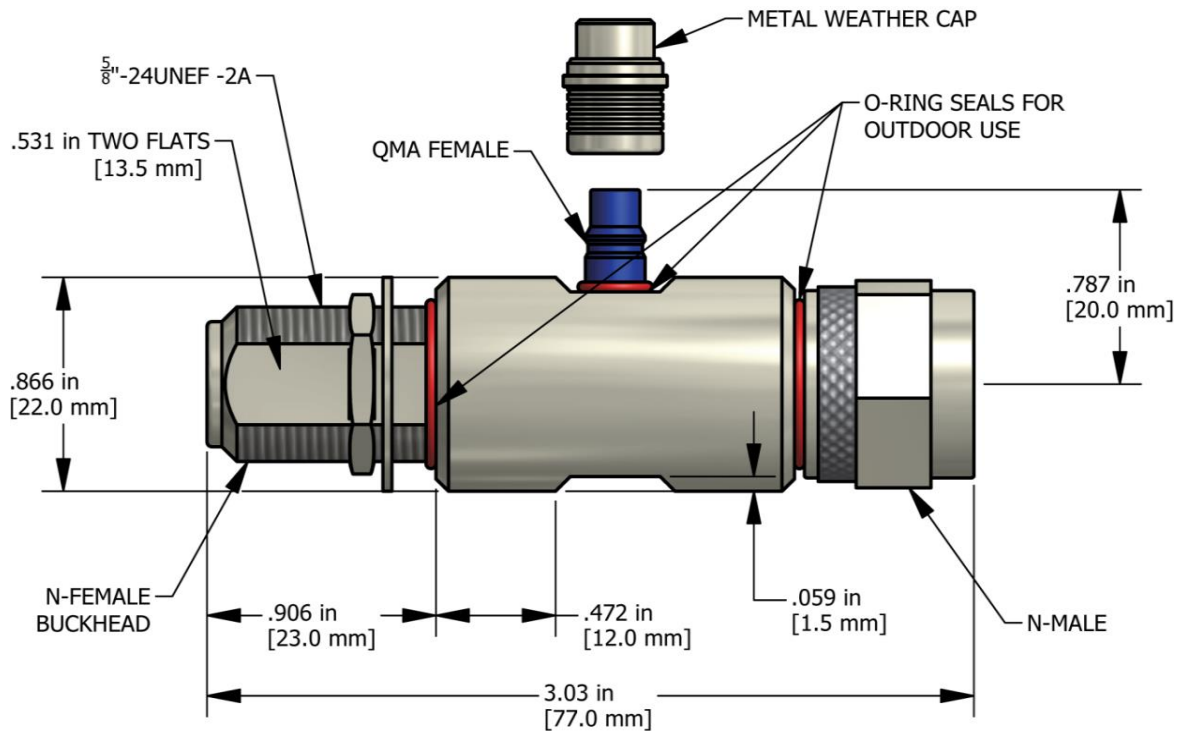
CSS CN-727

-40dB Coupler, 698-2700MHz, N-Male-to-N-Female

Coupler Measured @ 700-2700MHz



Mechanical Outline Drawing



www.cssantenna.com

410-612-0080

All Specifications are subject to change.

Refer to www.cssantenna.com for the most current information

customerservice@cssantenna.com

Page 2 of 2

2/16/2012