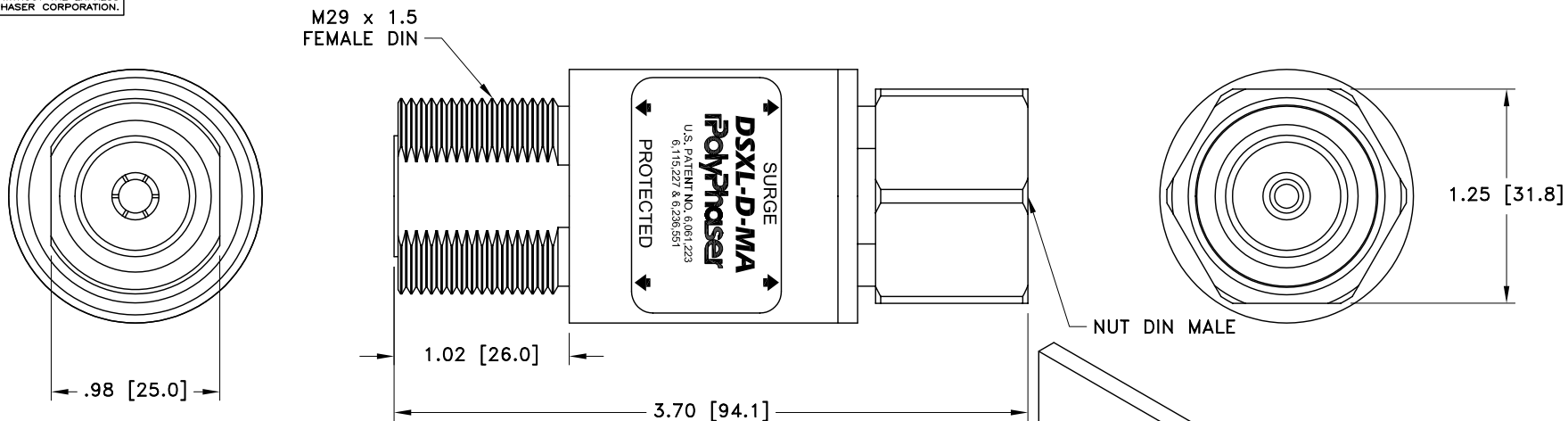


ALL DESIGN, OPERATIVE AND PROCESS DATA PERTAINING TO THE ARTICLE SHOWN ON THIS SHEET IS THE PROPERTY OF POLYPHASE CORPORATION. THE INFORMATION IS NOT TO BE COPIED, REPRODUCED, REVEALED TO OR APPROPRIATED BY OTHERS WITHOUT THE EXPRESS WRITTEN CONSENT OF POLYPHASE CORPORATION.

REVISIONS				
REV LTR	DATE	ENG	MKTG	Q.A.



MAXIMUM CHARACTERISTICS

APPLICATION:

BULKHEAD, WEATHERPROOF WHEN INSTALLED

SURGE:

30kA IEC 61000-4-5 8/20 μ s waveform

FREQUENCY RANGE:

800MHz TO 2.3GHz @ 1.1:1VSWR

700MHz TO 2.5GHz @ 1.2:1VSWR

INSERTION LOSS:

≤ 0.1 dB

CONTINUOUS POWER:

500W @ 85°C

750W @ 40°C

1kW @ 20°C

(@900MHz)

LET THROUGH VOLTAGE:

$\leq \pm 3$ volts FOR 3kA @ 8/20 μ s waveform

THROUGHPUT ENERGY:

$\leq 0.5\mu$ J FOR 3kA @ 8/20 μ s waveform

VIBRATION:

1G @ 5Hz TO 100Hz

TEMPERATURE:

-40°C TO +85°C STORAGE/OPERATING

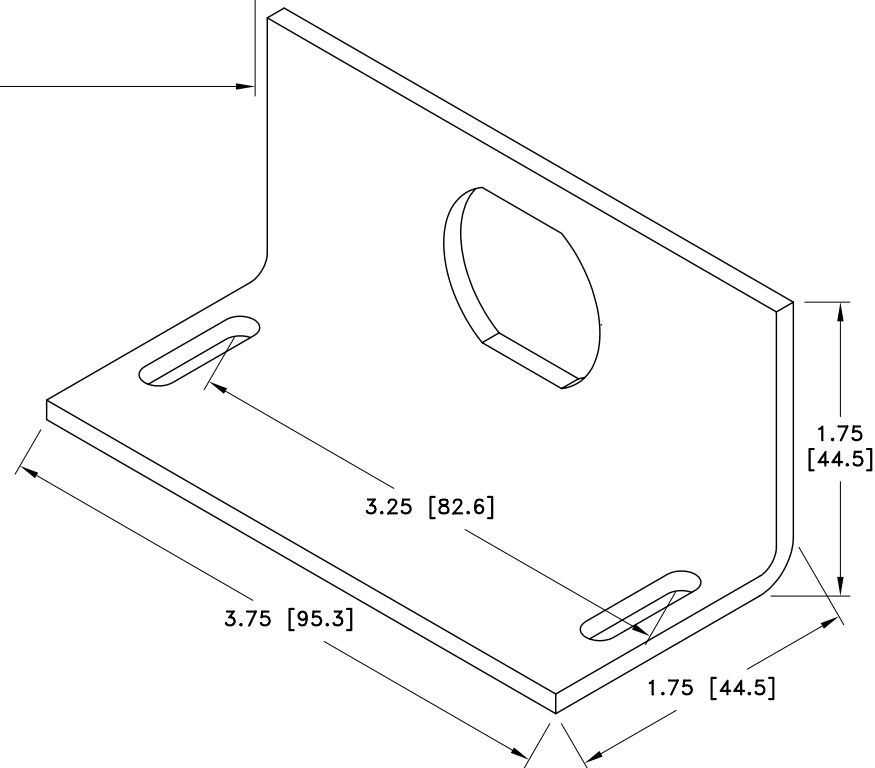
ENVIRONMENTAL:

MEETS BELLCORE #TA-NWT-000487

PROCEDURE 4.11, WIND DRIVEN (120MPH)


RAIN INTRUSION TEST.

MEETS IEC 60529 IP65.



CUSTOMER APPROVAL: _____ DATE: _____

ALL DIMENSIONS SHOWN ABOVE ARE FOR REFERENCE ONLY.

DRAFTER	DATE	 P.O. BOX 9000 MINDEN, NV 89423 TEL: 775-782-2511 FAX: 775-782-4476 DWG NO/PART NO/DESCRIPTION DSXL-D-MA-BF CUSTOMER PRINT			
R. SWART	08/19/03				
MECH ENGINEER	DATE				
R. DUNNING	08/20/03				
ELEC ENGINEER	DATE				
J. JONES	08/19/03	CAGE CODE	FILE NAME	SCALE	SHEET
MARKETING	DATE	61114	-C1	1/1	1 OF 1
S. DOTTER	08/19/03				
QUALITY DEPT	DATE				
L. JACQUES	08/20/03				