

N Female Connector for 1/2" Coaxial Cable, OMNI FIT™ standard, O-ring sealing

## Product Description

OMNI FIT™ high performance connectors are designed for use with both CELLFLEX® (copper) and CELLFLEX® Lite (aluminum) cables. They are designed specifically to provide the highest quality connector-cable interface while simplifying and speeding up connector attachment. All RFS connectors are fully tested for mechanical and electrical compliance to industry specifications. The N connector is one of the most common RF connector types and meets all requirements even under the most severe environmental conditions.



OMNI FIT™ Standard Connectors

## Features/Benefits

- Cost effective two-piece design for safe and easy installation
- Compatible with copper and aluminium cable types i.e. one connector for both outer conductor materials eliminates the risk of faulty connector installation and helps to keep inventory down
- Robust mechanical design for low and consistent intermodulation performance i.e. keeps the mobile network performance up, reduces the number of dropped calls and avoids revenue losses
- Superior electrical performance for consistent and repeatable low VSWR i.e. improved network system performance
- Waterproof to IP 68 i.e. no downtime risk, secures revenue
- RoHS (EU) and CRoHS (China) compliant i.e. can be used on a global basis

## Technical Specifications

Transmission Line Type	Coaxial Cable
Cable Size	1/2"
Cable Type	Foam Dielectric, Radiating
Model Series	LCF12-50 Series, ICA12-50 Series
Connector Interface	N
Nominal Impedance, ohms	50
Connector Type	OMNI FIT™
Sealing Method	O-ring
Gender	Female
Plating Outer/Inner	Three metal/Silver
Length, mm (in)	61.7 (2.43)
Outer Diameter, mm (in)	22.4 (0.88)
Weight, kg (lb)	0.09 (0.20)
Inner Contact Attachment	Spring Finger
Outer Contact Attachment	Spring Finger
3rd Order IM Product @ 2x20 Watts, dBc	<-155
Maximum Frequency, GHz	3.7
VSWR (Return Loss, dB) for 0 < f ≤ 1.0 GHz	1.025 (38.2)
VSWR (Return Loss, dB) for 1.0 < f ≤ 2.7 GHz	1.035 (35.3)
VSWR (Return Loss, dB) for 2.7 < f ≤ 3.7 GHz	1.06 (30.7)
VSWR (Return Loss, dB) for DC < f ≤ 6.0 GHz	1.09 (27.3)
Wrench size front, mm (in)	19 (3/4)
Wrench size rear, mm (in)	19 (3/4)
Trimming Tool	TRIM-Series-A
Waterproof Level	IP68

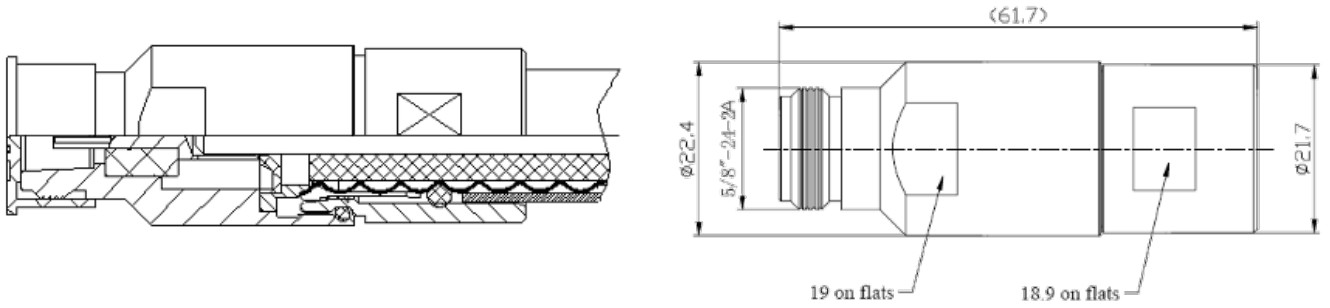
## Notes

## Other Documentation

Installation Instruction: [2800060-B\\_Inst.Con\\_LCF12-B32.pdf](http://www.rfsworld.com/2800060-B_Inst.Con_LCF12-B32.pdf)



N Female Connector for 1/2" Coaxial Cable, OMNI FIT™ standard, O-ring sealing



All information contained in the present datasheet is subject to confirmation at time of ordering