

# Above Ceiling Mounting Kit

Applies to PEAR™ M4772, M4936

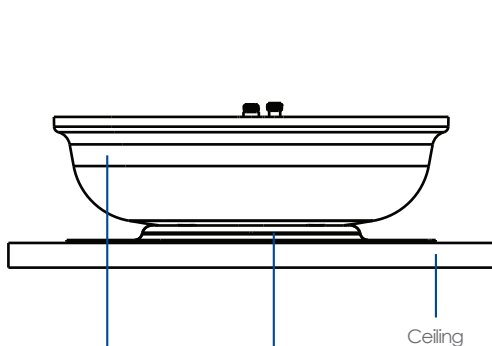
[Model No: 62-13-03]

## DESCRIPTION:

Mounting the antenna above the ceiling conceals it from view. The antenna is attached to the plenum side of the ceiling tile using a plastic support. The plastic support can be attached to the ceiling using the provided double sided adhesive tape.



Side View with attached PEAR Antenna

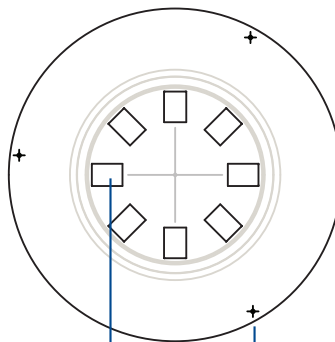


PEAR Antenna:  
M4772, M4936

Above Ceiling Mount  
Plastic Support

Ceiling

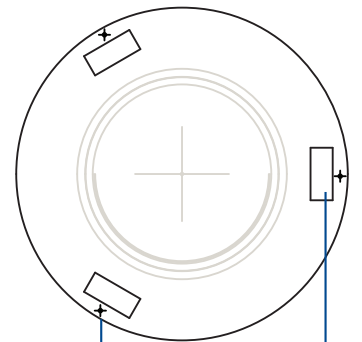
Top View



Double-sided adhesive tape to attach the  
antenna to the plastic support

Mounting holes (x3) for the option to attach the plastic  
support to the ceiling with screws (M4 or 5/32")

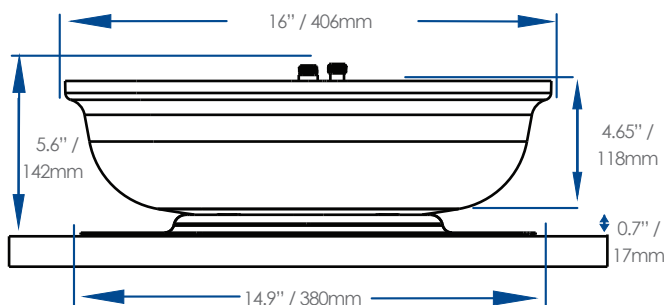
Bottom View



Double-sided adhesive tape  
to attach the plastic  
support to the ceiling

## Mechanical Specifications

<b>Operating Temperature</b>	32 to 158 °F (0 to +70°C)
<b>Environmental Conditions</b>	Indoor
<b>Dimensions (Diameter / Height)</b>	14.9" / 0.7" (380mm / 17mm)
<b>Weight</b>	0.52 lbs (236g)
<b>RoHS</b>	compliant
<b>European Directive 2002/95/EC</b>	compliant
<b>Plastic Support</b>	
Material	ABS resin Polylac PA-765
Flammability rating	UL 94-V0



## ORDER OPTIONS:

### Mounting Kit and Antenna are ordered separately

Antenna and above ceiling mounting kit are shipped as separate units. Installation steps 1-5 need to be performed.

### Antenna is ordered with pre-assembled above ceiling support

Antenna and mounting kit are ordered pre-assembled at the factory using mechanical rivets and are shipped in one box. Only installation steps 4 and 5 are relevant.

## INSTALLATION STEPS:

### Attach the antenna to the plastic support

1. Use alcohol to clean the top of the antenna radome.
2. Remove the protective film from the double sided tape strips located inside the center of the plastic support.
3. Insert the antenna radome into the plastic support and press together firmly.

### Attach the plastic support to the ceiling

4. Clean the area on the ceiling tile where the antenna will be mounted.
5. Attach the antenna assembly to the ceiling tile by removing the protective film on the adhesive strips located at the bottom of the support and firmly press onto the ceiling.

Depending on ceiling material, use self tapping screws to fasten the plastic support to the ceiling.