

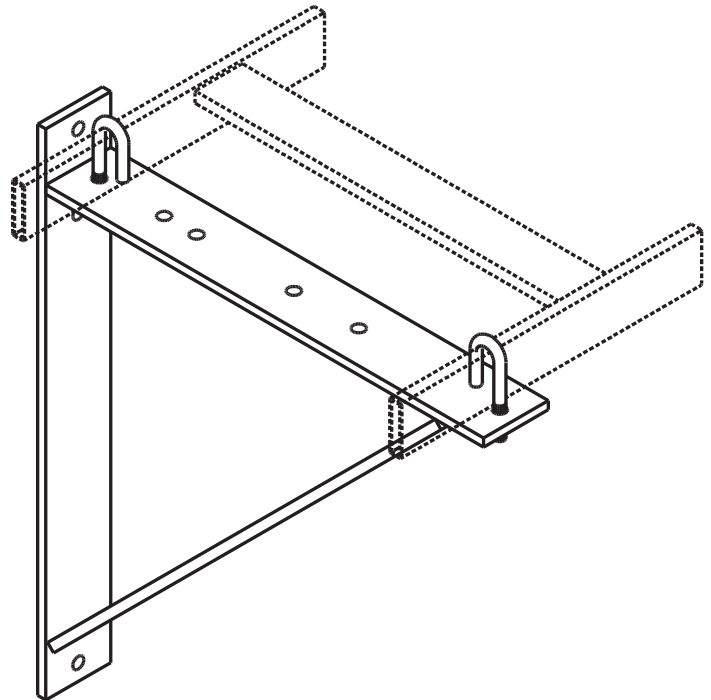
# Product Cut Sheet

## TRIANGULAR SUPPORT BRACKET, ALUMINUM

Triangular welded bracket provides wall support for cable runway. Made of 1/4" x 2" 6063-T5 aluminum bar. Weight capacity is 100 lb.

■ Kit consists of:

- 1 each triangular bracket
- 2 each 5/16-18 x 2 1/4" J-bolts
- 2 each 5/16-18 hex nuts
- 2 each 5/16 lock washers



Part Number	Runway Widths	Color	Shipping Weight
11312-106	4"-6"	Gray	2 lb
11312-112	6"-12"	Gray	3 lb
11312-118	12"-18"	Gray	3 lb
11312-206	4"-6"	White	2 lb
11312-212	6"-12"	White	3 lb
11312-218	12"-18"	White	3 lb
11312-706	4"-6"	Black	2 lb
11312-712	6"-12"	Black	3 lb
11312-718	12"-18"	Black	3 lb

800-834-4969 in U.S. & Canada • [www.chatsworth.com](http://www.chatsworth.com)



CHATSWORTH PRODUCTS, INC.

©2010 Chatsworth Products, Inc. All rights reserved. CPI, CPI Passive Cooling, MegaFrame, Saf-T-Grip, Seismic Frame, SlimFrame, TeraFrame, Cube-IT Plus, Evolution, OnTrac, and QuadraRack are federally registered trademarks of Chatsworth Products, Inc. GlobalFrame, Simply Efficient and Velocity are trademarks of Chatsworth Products, Inc. All other trademarks belong to their respective companies. 12/10