

MOUNTING INSTRUCTIONS, ANGLE TO WALL

AT A PREDETERMINED LOCATION, MOUNT THE RUNWAY SUPPORT WALL ANGLE SO THAT THE TOP HORIZONTAL SURFACE IS LEVEL AND IN THE SAME PLANE AS THE BOTTOM SURFACES OF THE CABLE RUNWAY STRINGERS. RECOMMENDED SIZES FOR CUSTOMER SUPPLIED HARDWARE SHALL BE USED.

DRILL HOLES FOR MOUNTING HARDWARE IN WALL SURFACES USING THE WALL ANGLE AS A TEMPLATE FOR LOCATING THE HOLES.

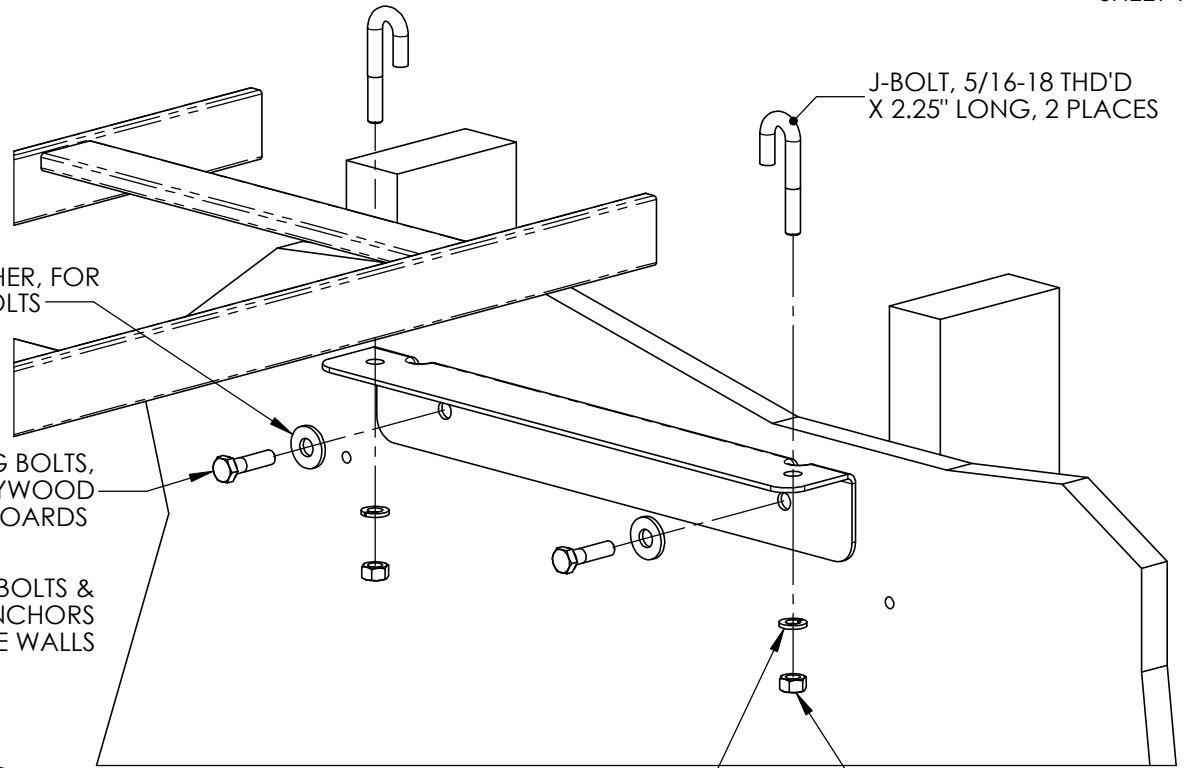
DRILLED HOLE DIAMETERS & DEPTHS SHALL BE APPROPRIATE FOR LAG SCREWS OR WALL ANCHORS DEPENDING ON TYPE OF MOUNTING REQUIRED. ATTACH WALL ANGLE TO WALL SURFACE AS SHOWN. TORQUE FASTENERS TO MANUFACTURER'S RECOMMENDATION.

CUSTOMER SUPPLIED

FLAT WASHER, FOR $\phi 5/16"$ BOLTS

$\phi 5/16"$ LAG BOLTS, FOR PLYWOOD BACKER BOARDS OR

$\phi 5/16"$ HEX CAPBOLTS & APPROPRIATE WALL ANCHORS FOR CONCRETE WALLS



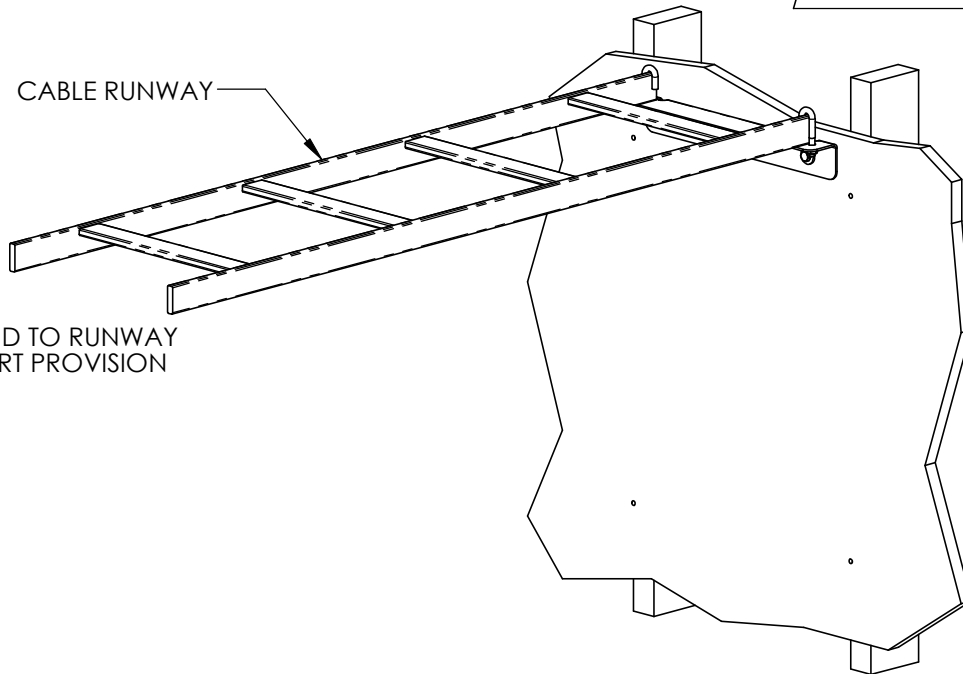
J-BOLT, 5/16-18 THD'D X 2.25" LONG, 2 PLACES

WASHER, SPLIT LOCK, FOR $\phi 5/16$ SCR, STEEL, 2 PLACES

NUT, 5/16-18 HEX, STEEL, 2 PLACES

CABLE RUNWAY

THIS END TO RUNWAY SUPPORT PROVISION



MOUNTING INSTRUCTIONS, RUNWAY TO ANGLE

USING HARDWARE IN PROVIDED J-BOLT KIT, PLACE RUNWAY STRINGER LOWER SURFACES ON UPPER HORIZONTAL SURFACE OF WALL ANGLE. ENSURE THAT THE STRINGERS ARE LEVEL & RESTING EVENLY ON THE WALL ANGLE SUPPORT. RUNWAY TERMINATION END SHOULD PASS COMPLETELY THROUGH THE J-BOLT MOUNTING HARDWARE AS SHOWN AND BE FLUSH OR 0.25" (1/4") MAX AWAY FROM THE WALL. ASSEMBLE THE J-BOLT HARDWARE AS SHOWN & TORQUE TO 5 FT/LBS ± 0.5 FT/LB (60 in/Lbs ± 6 in/Lbs).

CPI CHATSWORTH PRODUCTS, INC.

800-834-4969 techsupport@chatsworth.com www.chatsworth.com

**INSTALLATION INSTRUCTIONS,
WALL ANGLE SUPPORT, CABLE
RUNWAY TO WALL**

THIS DRAWING CONTAINS PROPRIETARY AND CONFIDENTIAL INFORMATION AND IS PROTECTED BY U.S. AND INTERNATIONAL LAW. UNAUTHORIZED REPRODUCTION, DISCLOSURE OR USE OF THE DRAWING OR THE INFORMATION THEREIN IS EXPRESSLY FORBIDDEN EXCEPT AS AGREED TO IN WRITING BY CHATSWORTH PRODUCTS, INC.