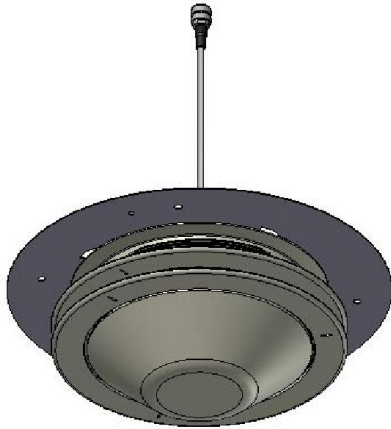




TRU-Omni R727

V-Pol Omni Antenna, 698-2700MHz, Recess Mount

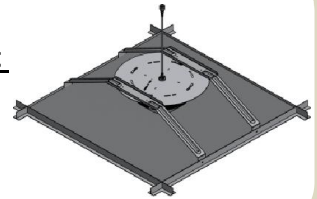


- True Omni Patterns
- Highest Gain for Ceiling Mounted Antennas
- PIM Certified
- Recess Mount Greatly Reduces Exposed Radome
- Includes Premium Pig Tail Jumper
- Suitable for LTE/CDMA/WCS/GSM/WLAN/WMax

Optional Above Ceiling Mount Bracket

919056

Completely Conceals the Antenna



Electrical Specifications

Frequency Band, MHz	698-960	740-894	1710-2360	2500-2700
Horizontal Beamwidth, 3dB points	360	360	360	360
Gain, dBi	2.9	2.9	6.4	7.3
VSWR Maximum/Return Loss, dB	1.7/11.7	1.4/15.0	1.4/15.5	1.5/14.0
Polarization	Vertical			
Intermodulation (2x20w), IM3, dBc, Maximum	-150			
Impedance, ohms	50			
Maximum Power Per Connector, CW	40			



TRU-Omni R727

V-Pol Omni Antenna, 698-2700MHz, Recess Mount

Mechanical Specifications

Dimensions, Width/Depth	9.2/2.0 in (234/52 mm) BELOW CEILING
Connector (Quantity) Type	(1) N-Female on 12" Pigtail
Connector (Quantity) Type (M-Option)	(1) Mini-Din Female (4.1/9.5) on 12" Pigtail
Connector Torque (M-Option)	Mini-DIN 88.5 lbf-in (10 Nm)
Connector Location	Top
Antenna Weight	1.2 lb (0.54 kg)
Radome Material	Polypropylene
Mounting	Recess Mount in non-Metallic Ceiling Tile
Application	Indoor
Operating Temperature	-40 °F to +140 °F (-40 °C to +60 °C)
Plenum Rated	See Note 1

Order Information

Model	Description
TRU-Omni R727	Recess Mount Omni Antenna, V-Pol, 698-2700MHz, N-Female Connector
TRU-Omni R727-M	Recess Mount Omni Antenna, V-Pol, 698-2700MHz, Mini-Din Female (4.1/9.5) Connector
919056	Above Ceiling Mounting Kit

Note 1:

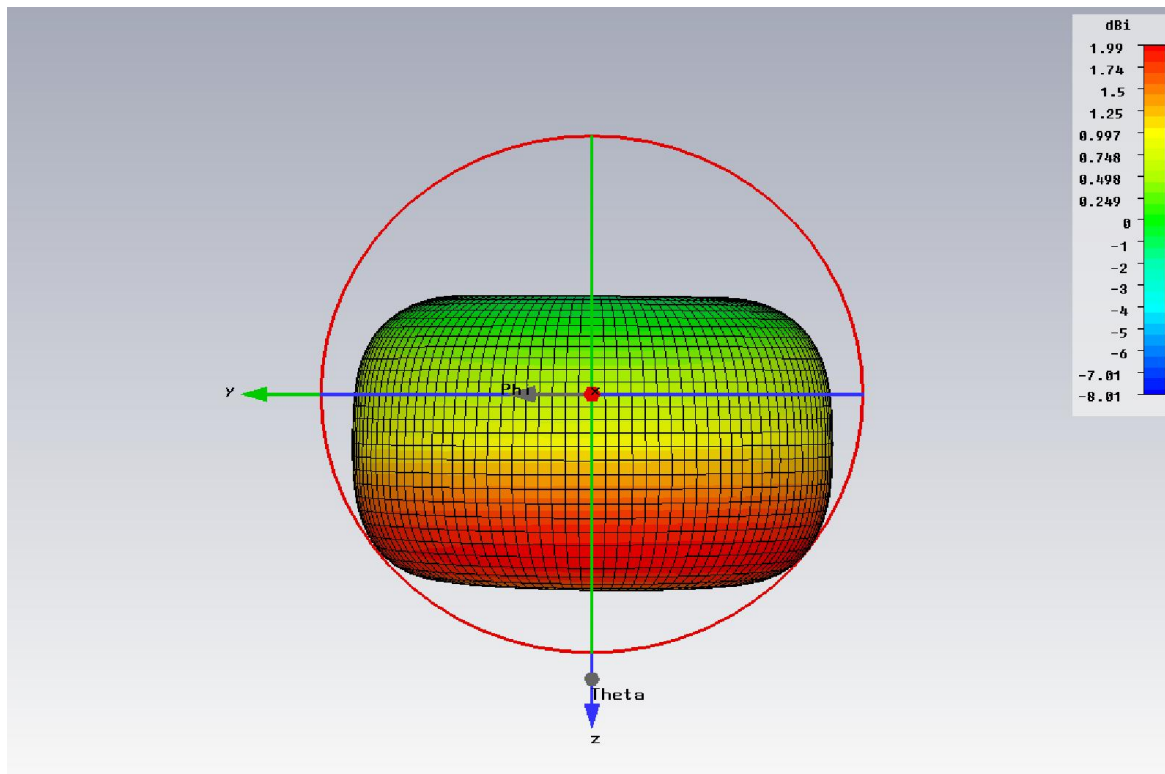
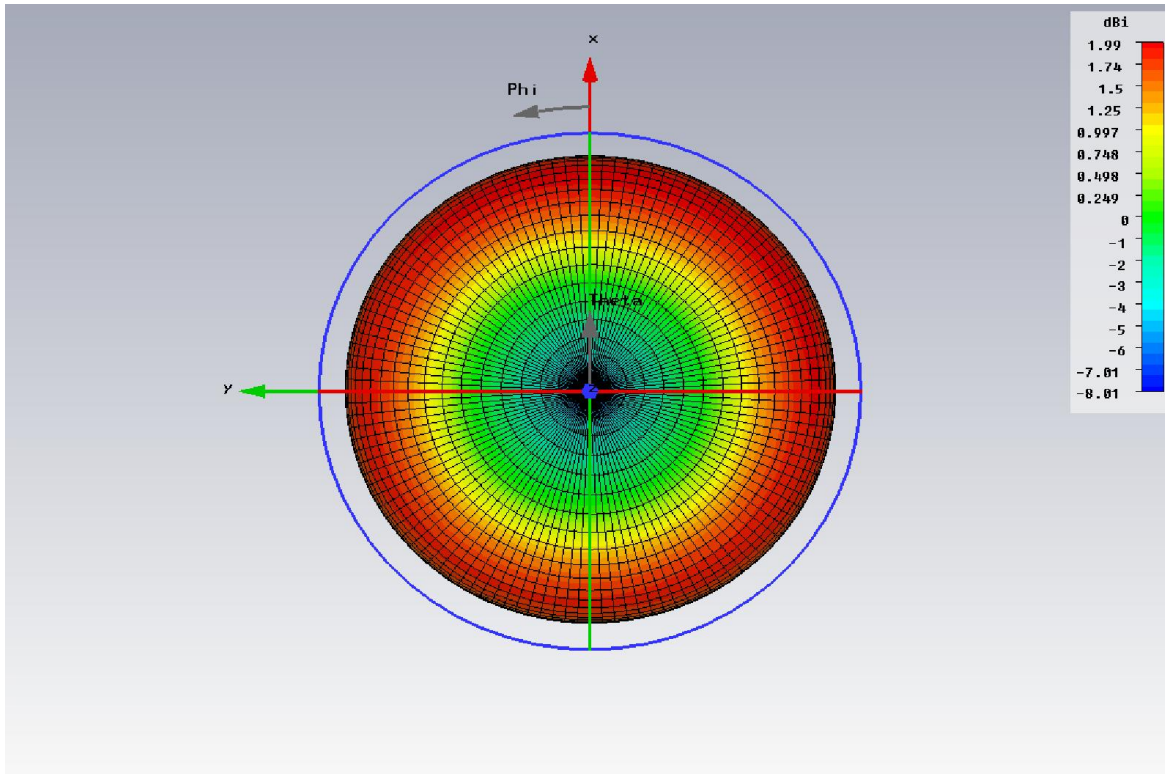
The TRU-OMNI-R727 product is intended for installation in ceilings and air handling spaces and has been evaluated and tested to the requirements of UL2043, 3RD edition, fire rated for heat and visible smoke release for discrete products and their accessories installed in air-handling spaces. The UL file number for the TRU-OMNI-R727 product is: E355780.



TRU-Omni R727

V-Pol Omni Antenna, 698-2700MHz, Recess Mount

Patterns Measured @ 750MHz



www.cssantenna.com

410-612-0080

customerservice@cssantenna.com

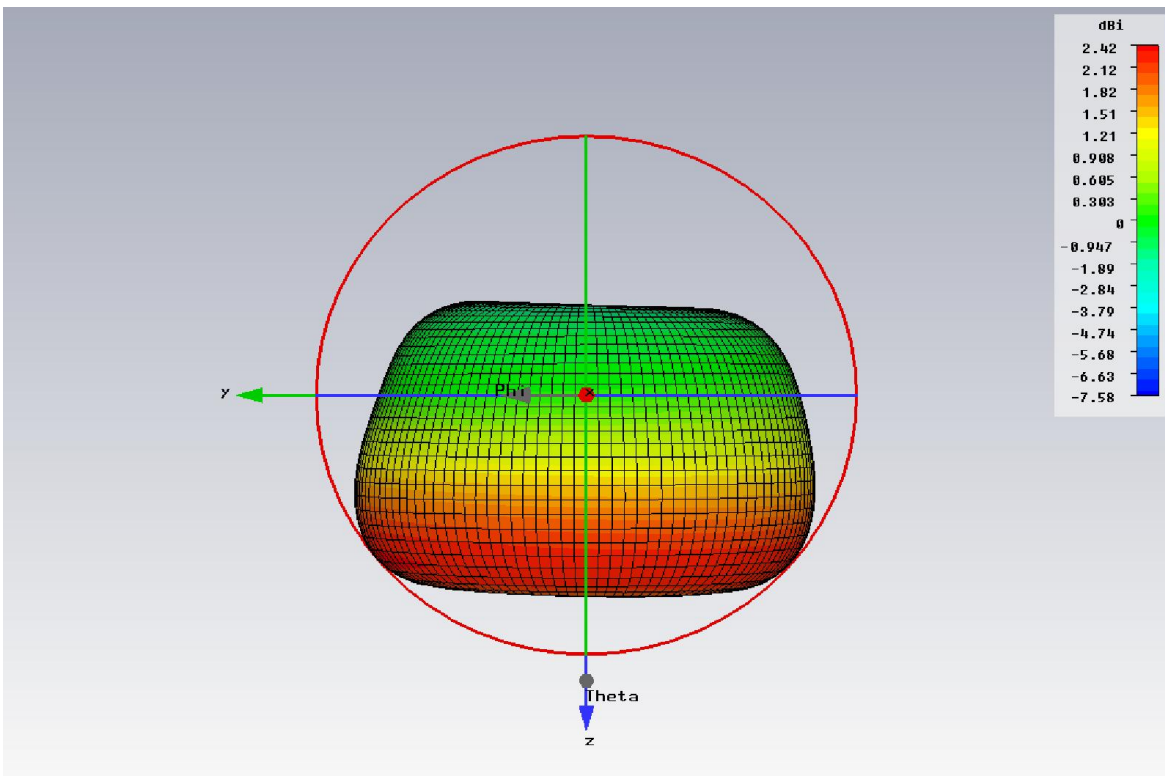
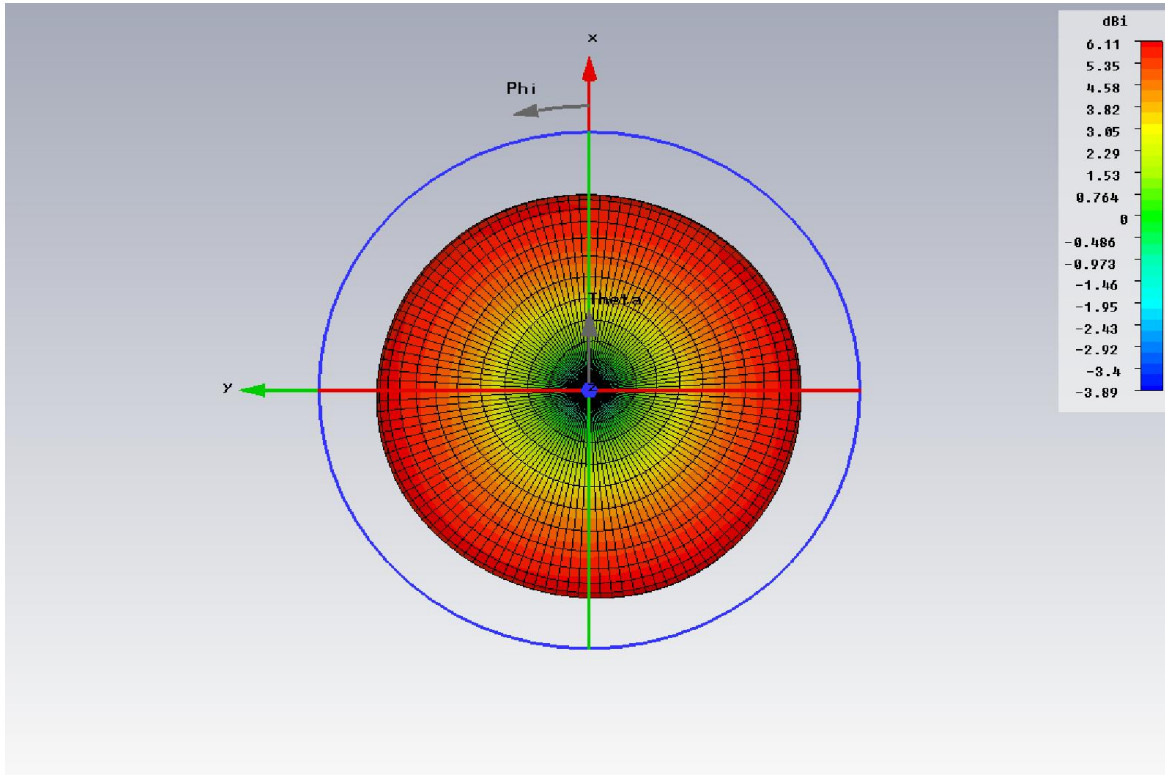
All Specifications are subject to change.
Refer to www.cssantenna.com for the most current information



TRU-Omni R727

V-Pol Omni Antenna, 698-2700MHz, Recess Mount

Patterns Measured @ 850MHz



www.cssantenna.com

410-612-0080

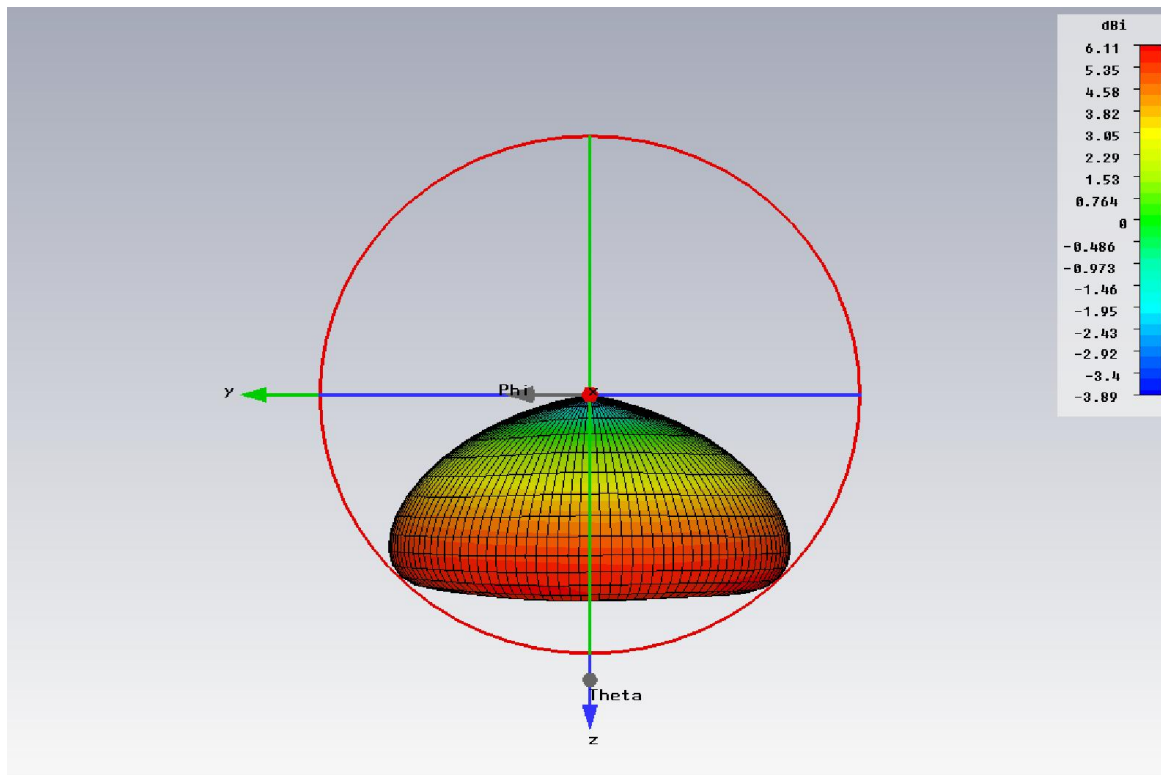
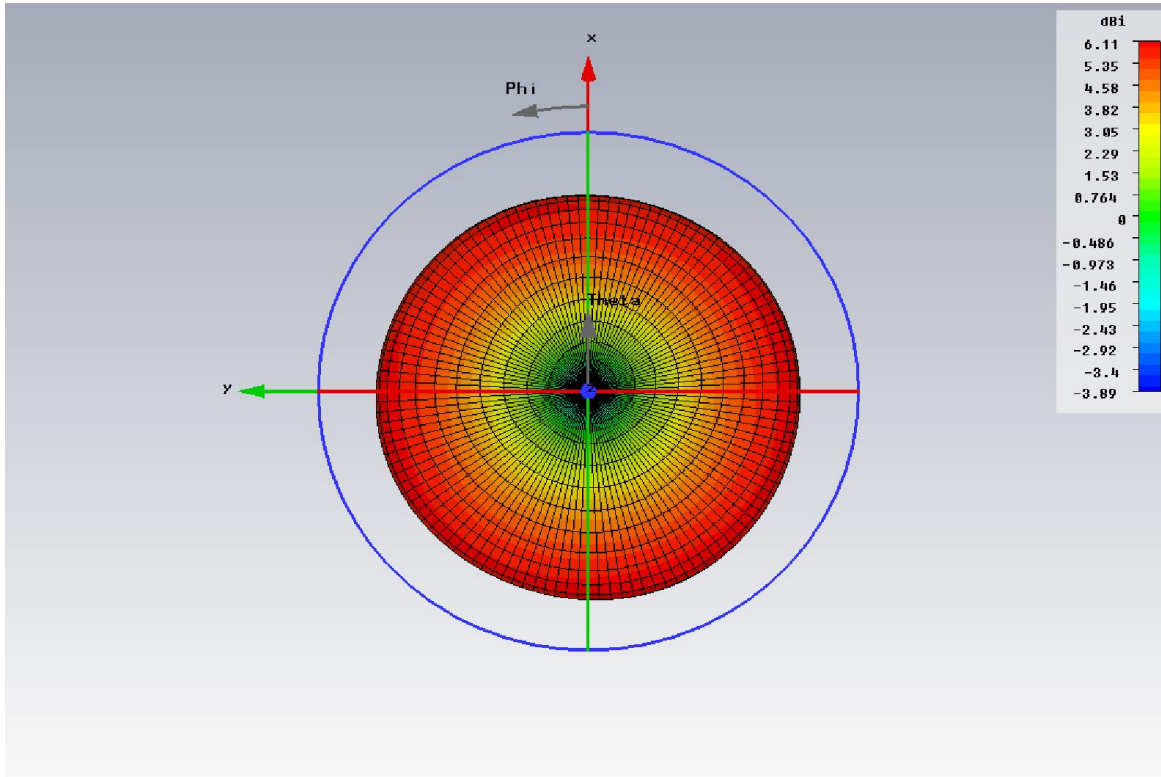
customerservice@cssantenna.com



TRU-Omni R727

V-Pol Omni Antenna, 698-2700MHz, Recess Mount

Patterns Measured @ 1780MHz



www.cssantenna.com

410-612-0080

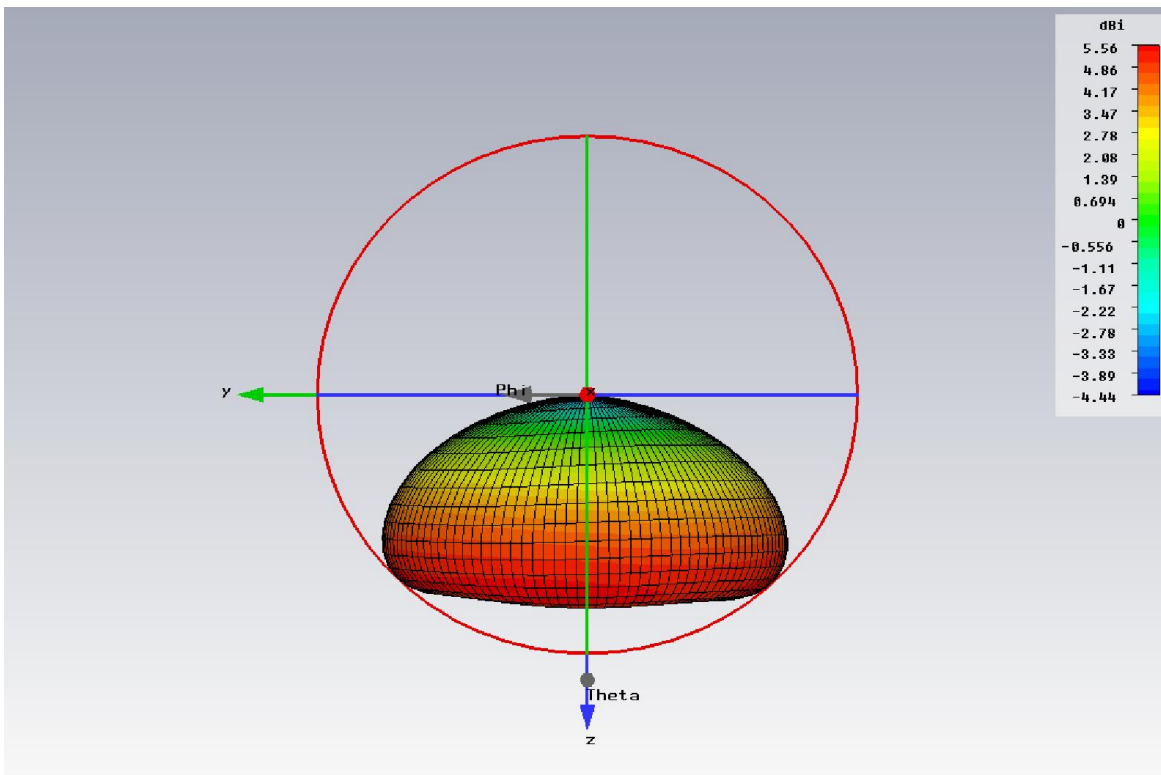
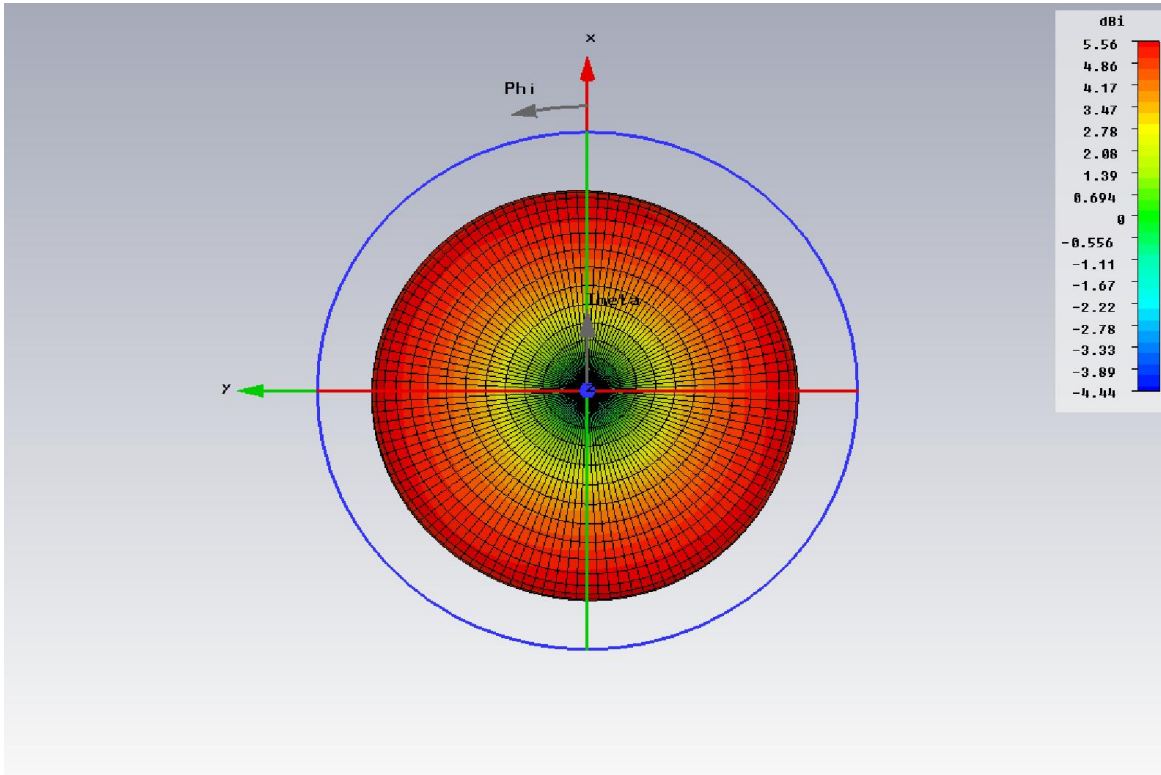
customerservice@cssantenna.com



TRU-Omni R727

V-Pol Omni Antenna, 698-2700MHz, Recess Mount

Patterns Measured @ 1920MHz



www.cssantenna.com

410-612-0080

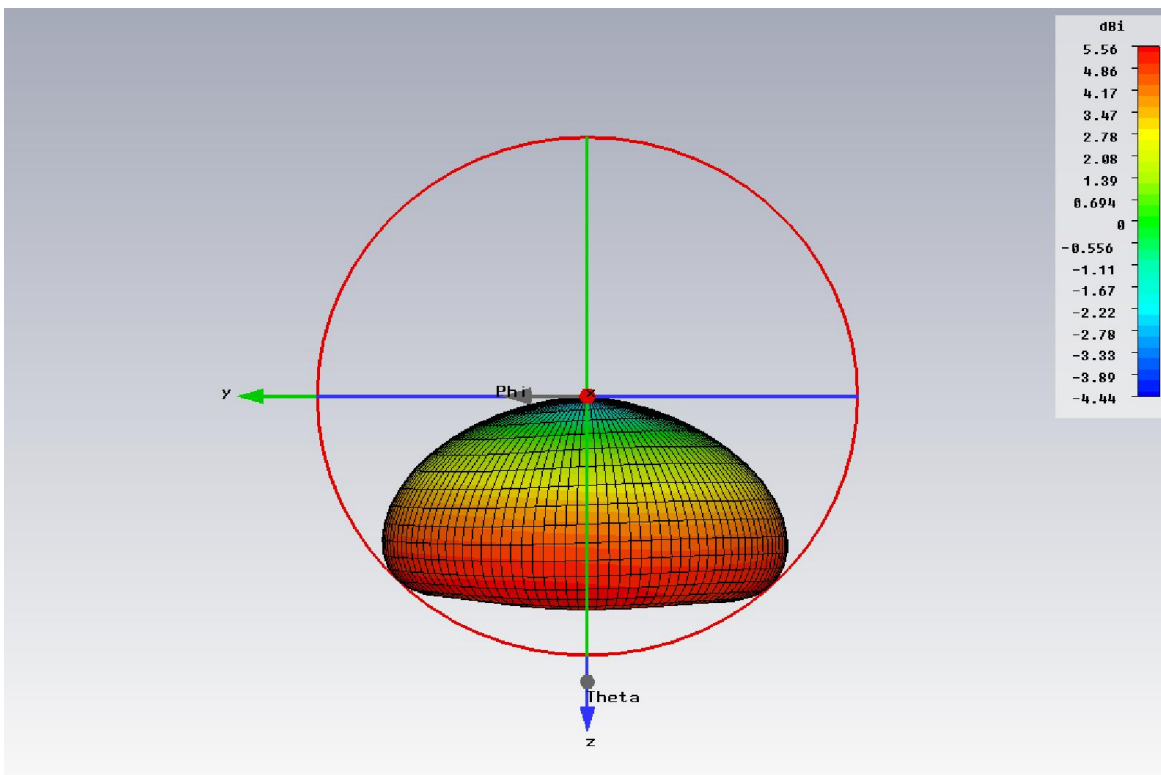
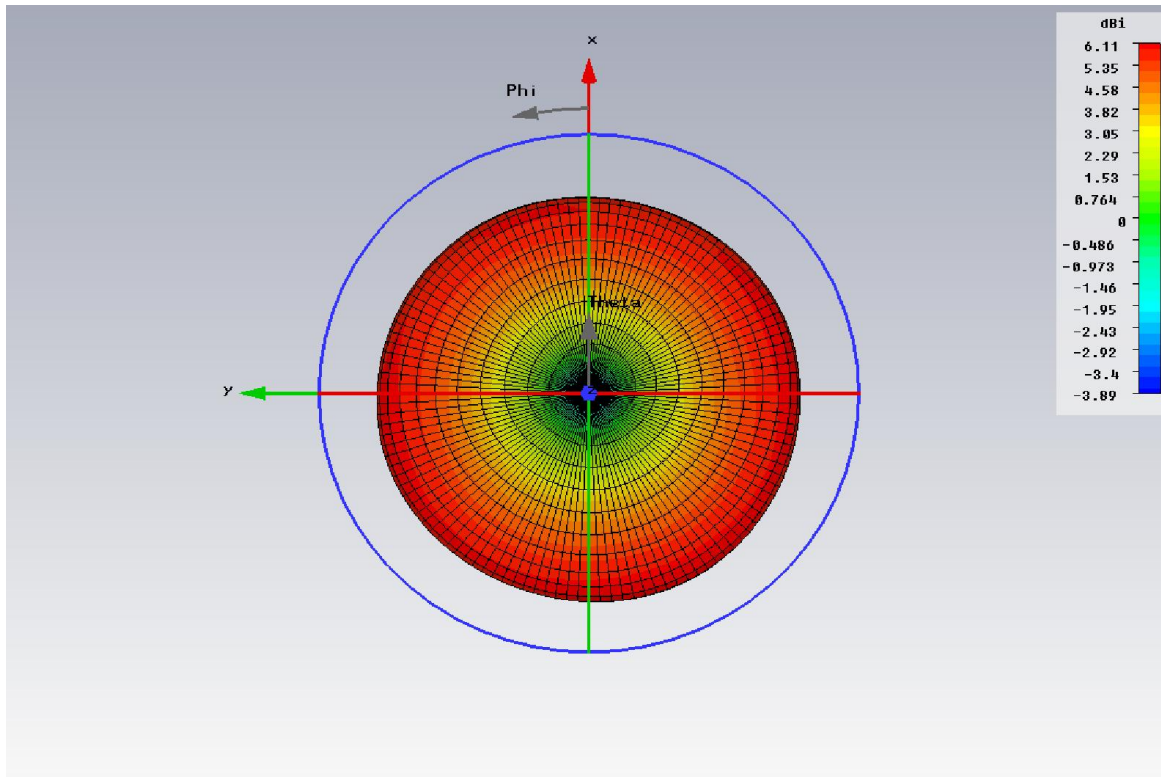
customerservice@cssantenna.com



TRU-Omni R727

V-Pol Omni Antenna, 698-2700MHz, Recess Mount

Patterns Measured @ 2080MHz



www.cssantenna.com

410-612-0080

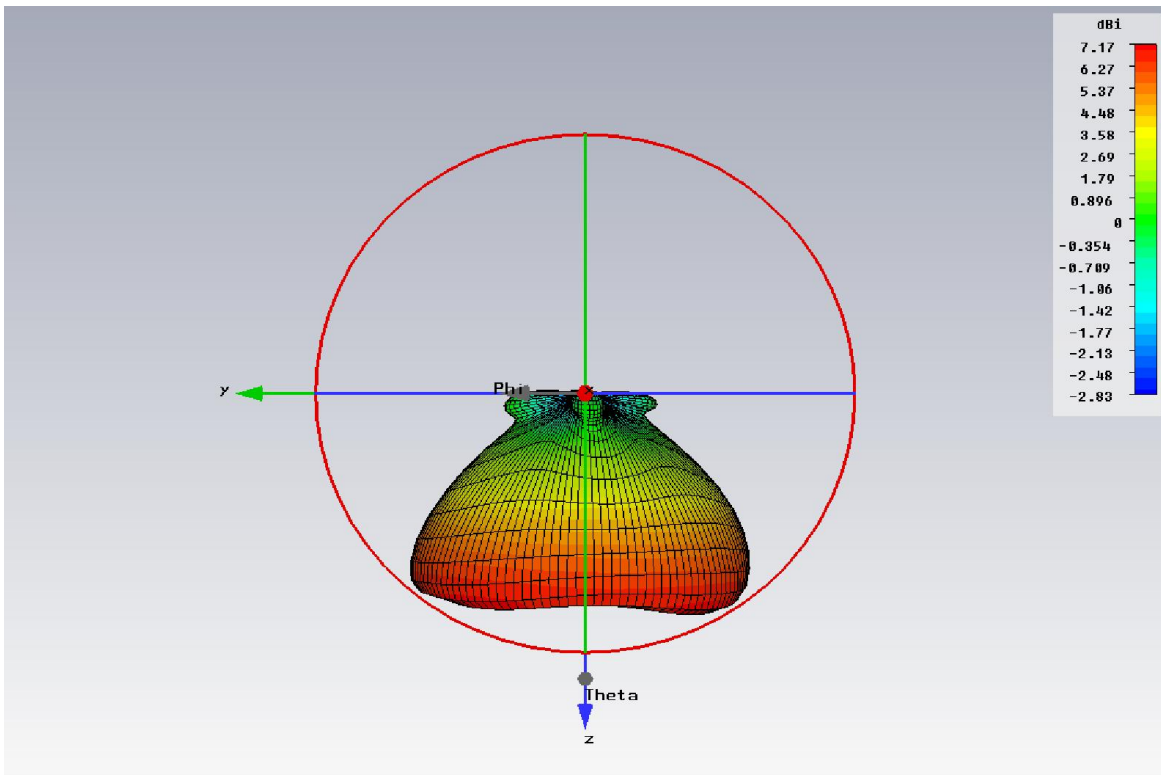
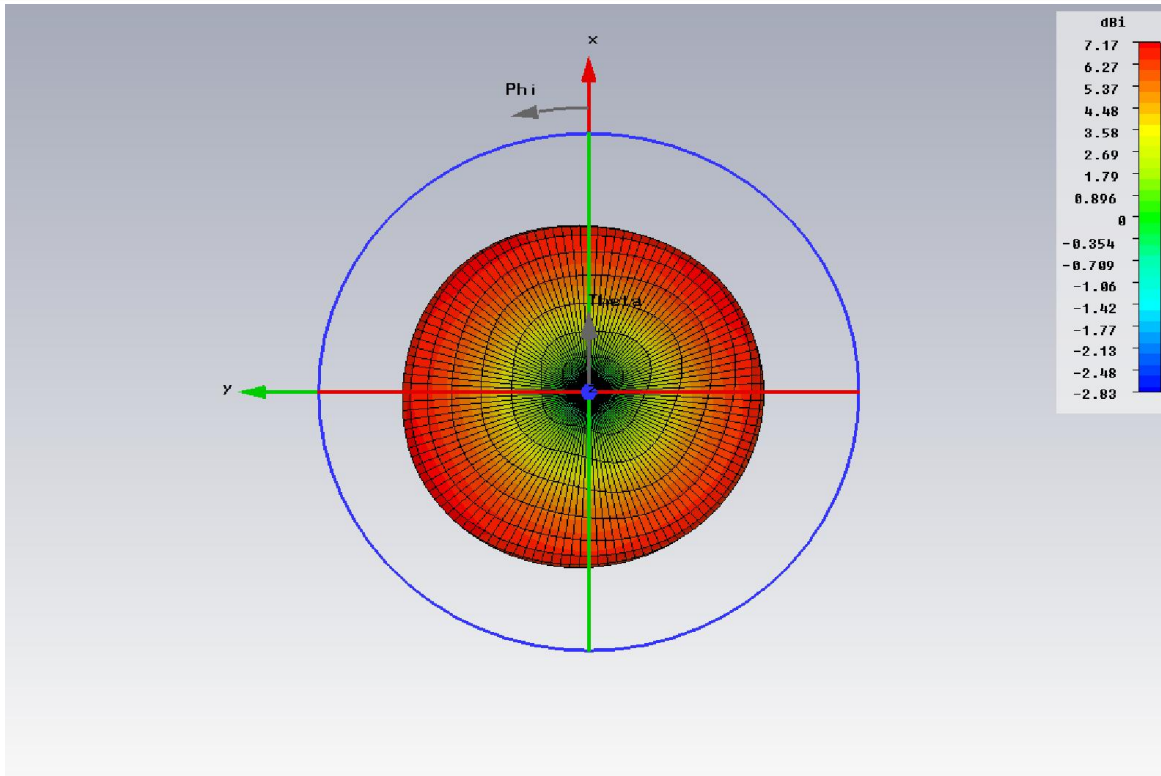
customerservice@cssantenna.com



TRU-Omni R727

V-Pol Omni Antenna, 698-2700MHz, Recess Mount

Patterns Measured @ 2600MHz



www.cssantenna.com

410-612-0080

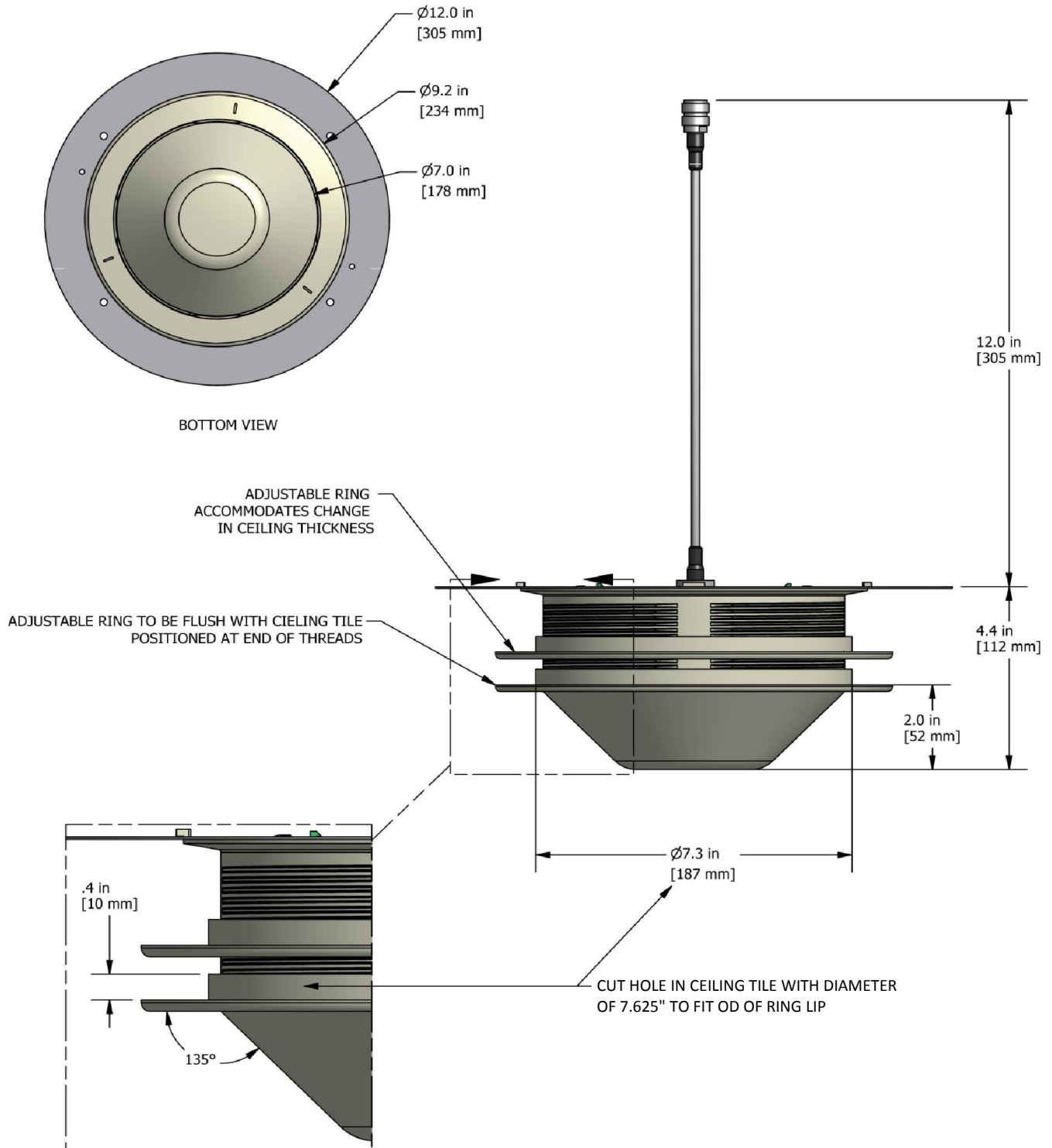
customerservice@cssantenna.com



TRU-Omni R727

V-Pol Omni Antenna, 698-2700MHz, Recess Mount

Mechanical Outline Drawing



www.cssantenna.com

410-612-0080

customerservice@cssantenna.com

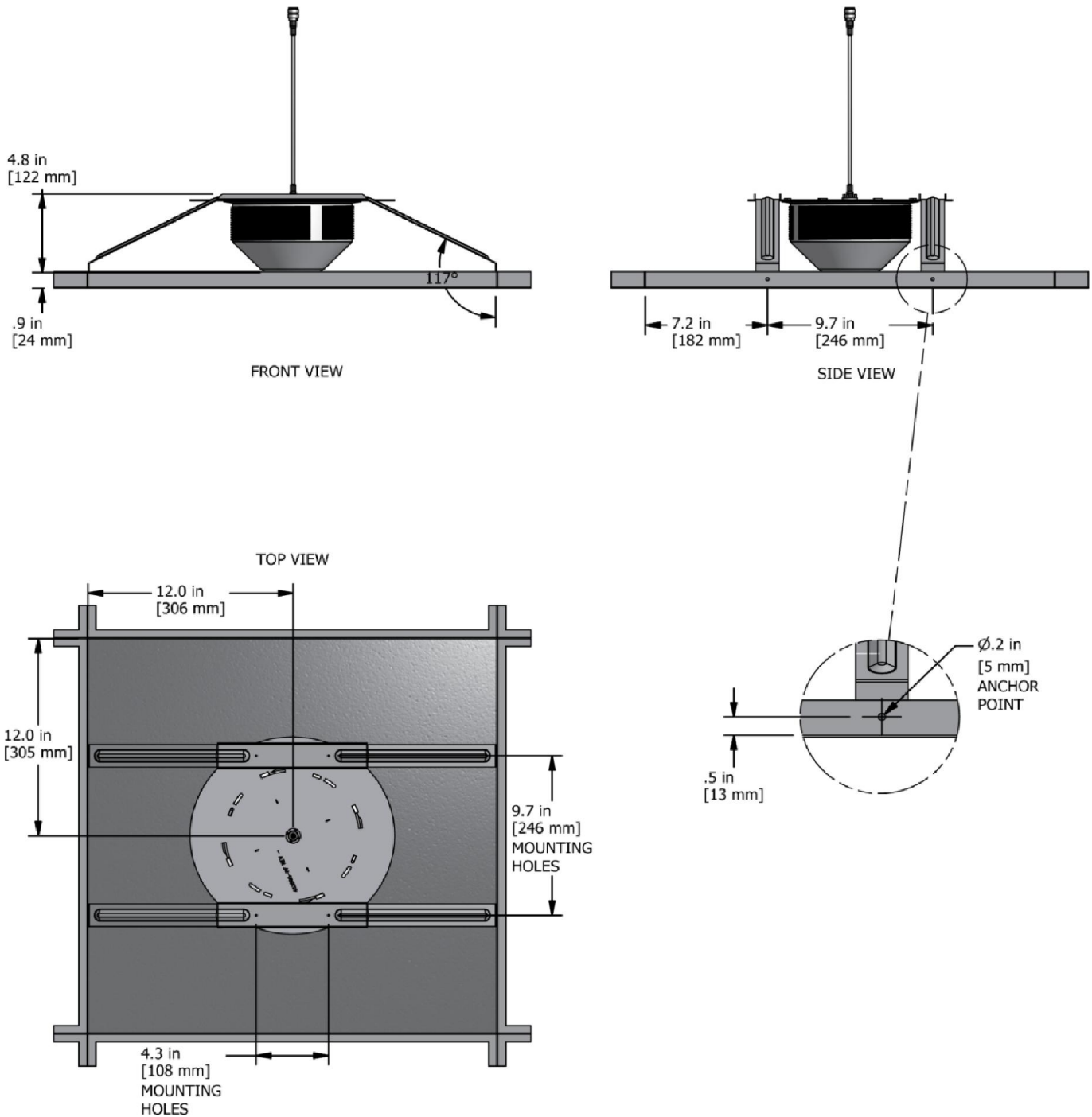


TRU-Omni R727

V-Pol Omni Antenna, 698-2700MHz, Recess Mount

Optional Bracket Kit (919056)

NOTE: the Optional Bracket (919056) is designed for 2 foot ceiling space



www.cssantenna.com

410-612-0080

customerservice@cssantenna.com